



# ACCESS FRAME KIT INSTALLATION INSTRUCTIONS

---

FBGPAF-1



[WWW.JAYPRO.COM](http://WWW.JAYPRO.COM)

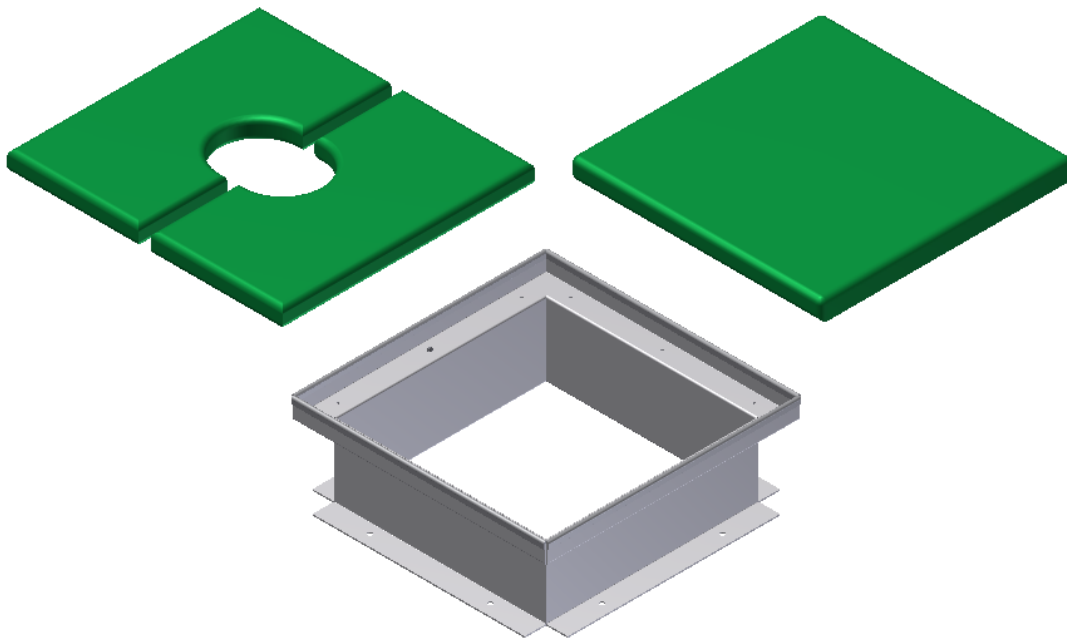
JAYPRO SPORTS PHONE 800-243-0533 FAX 800-444-1779

# ACCESS FRAME KIT INSTALLATION INSTRUCTIONS

## INTRODUCTION

1. This access frame is designed to give access to goal posts that are installed using ground sleeves with or without a height adjuster and surface mounted goal posts **without** the hinge option. The access frame requires that the gooseneck footing be approximately 8 inches below the playing surface giving an open space of approximately 18 inches square by 6 inches deep.
2. The instructions are written for experienced mechanical contractors. If you need additional information or support to install your access frame you can reach the Jaypro Sports customer support team Monday through Friday, 8 am to 5 pm Eastern Time at 1-800-243-0533.
3. If you are installing a surface mounted goalpost with the FBHG-1 HINGE KIT you need the larger FBGPA-2 Access Frame.

QTY	DESCRIPTION
2	ACCESS FRAME
2	FULL ACCESS COVER
2	SPLIT ACCESS COVER



## OPTIONAL EQUIPMENT

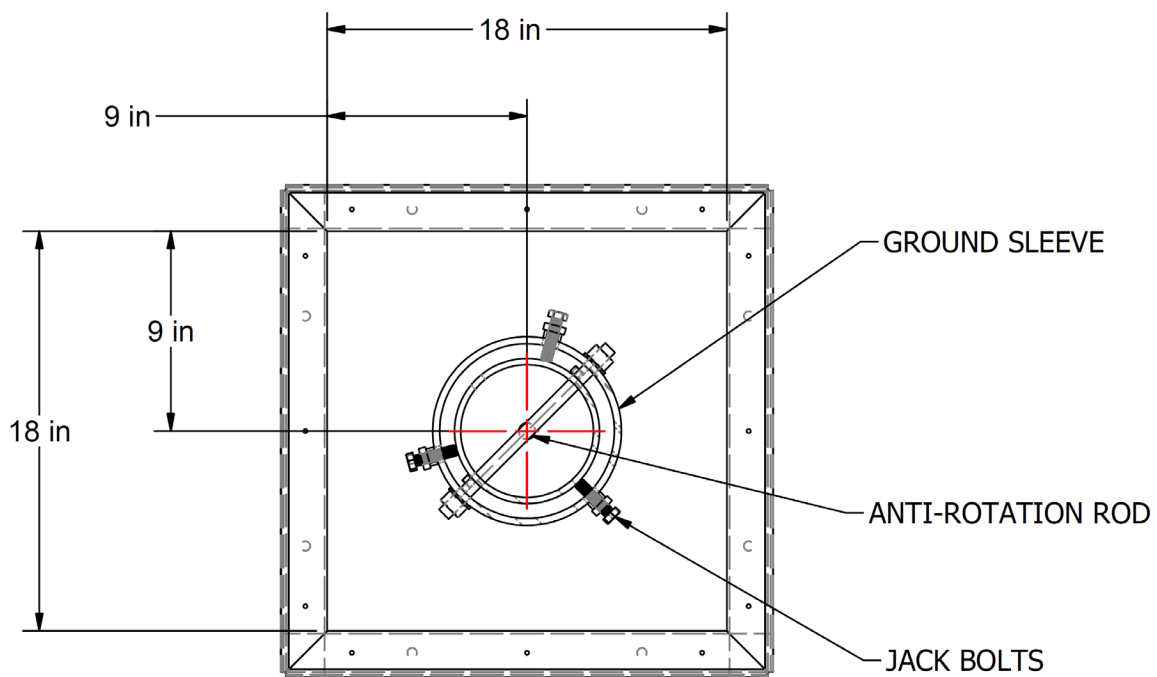
FULL PLUG WITH TURF COVER	FBGPAF-1-3
POLE PLUG WITH TURF COVER	FBGPAF-1-4
FULL PLUG WITHOUT TURF COVER	FBGPAF-1-3A
POLE PLUG WITHOUT TURF COVER	FBGPAF-1-4A

# ACCESS FRAME KIT INSTALLATION INSTRUCTIONS

## ACCESS COVER WITH GROUND SLEEVE

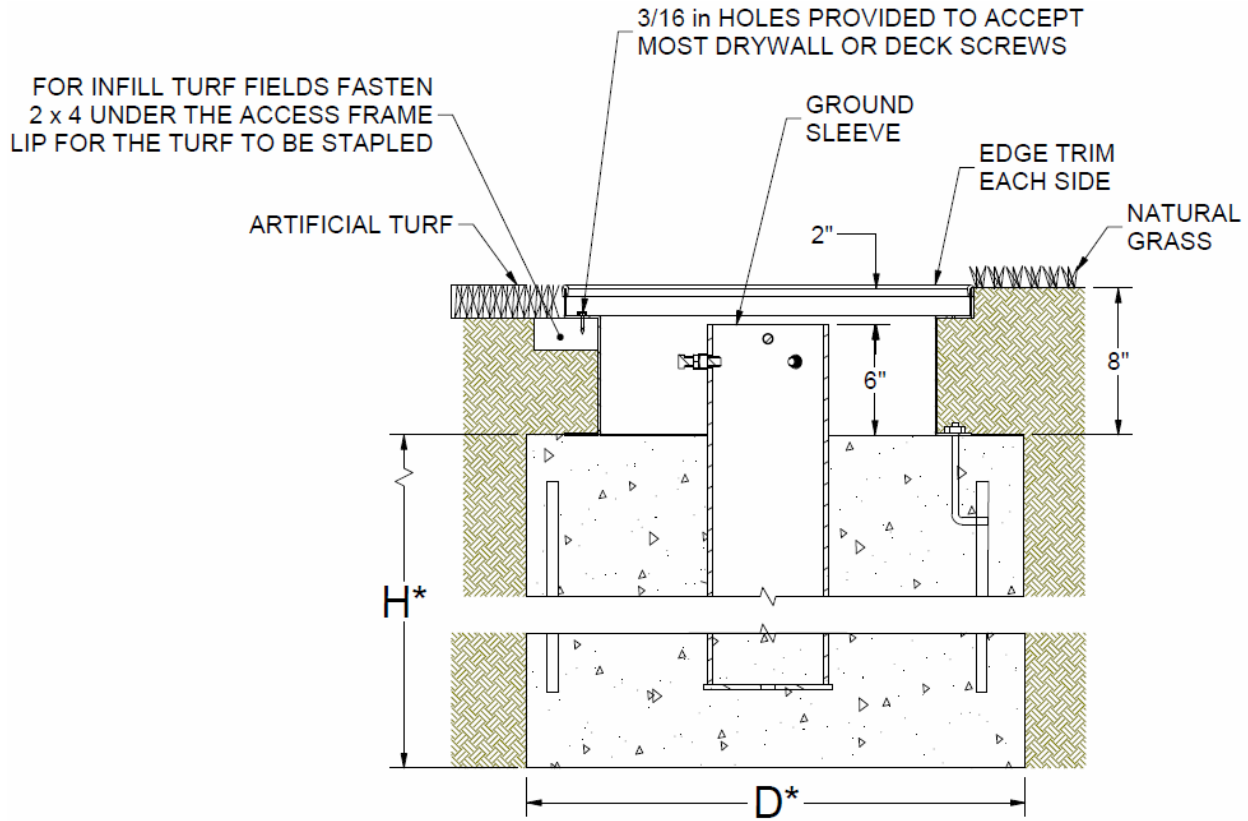
### NOTE:

It is important when installing the ground sleeve with or without a height adjuster the pre drilled holes for locating the anti-rotation rod be placed in line with the diagonal corners of the access frame. See Figure 1.



**FIGURE 1**  
**GROUND SLEEVE FOOTING**

# ACCESS FRAME KIT INSTALLATION INSTRUCTIONS



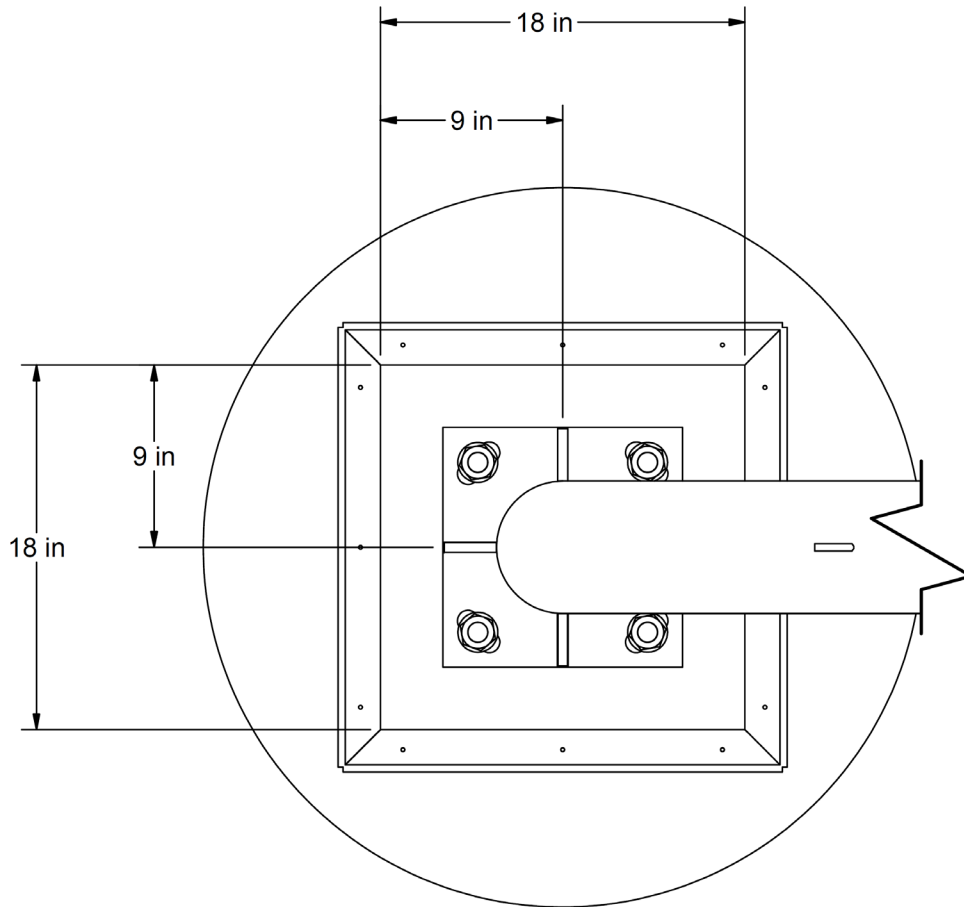
**FIGURE 2**  
**GROUND SLEEVE FOOTING**

*\*See goal post instructions for foundation dimensions.*

# ACCESS FRAME KIT INSTALLATION INSTRUCTIONS

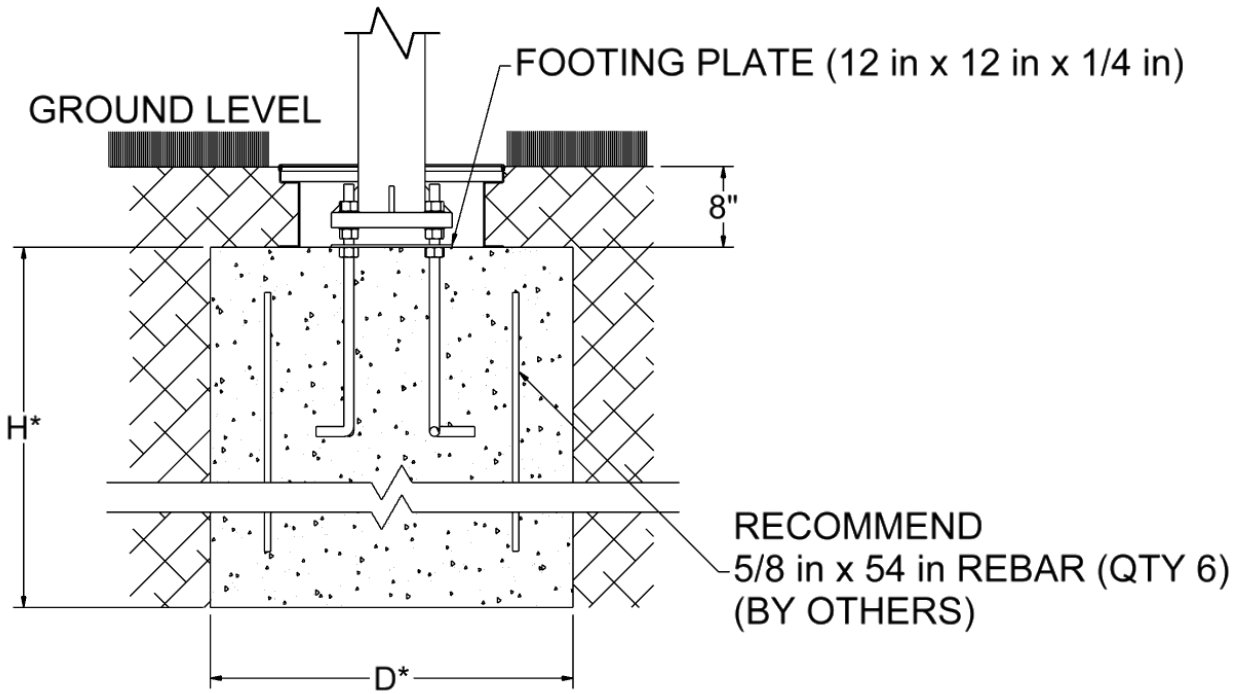
---

## ACCESS FRAME WITH SURFACE MOUNTED GOOSENECK



**FIGURE 3**  
**SURFACE MOUNTED GOOSENECK**  
**FOOTING DETAIL**

# ACCESS FRAME KIT INSTALLATION INSTRUCTIONS



**FIGURE 4  
SURFACE MOUNTED GOAL POST  
FOOTING DETAIL**

*\*See goal post instructions for foundation dimensions.*